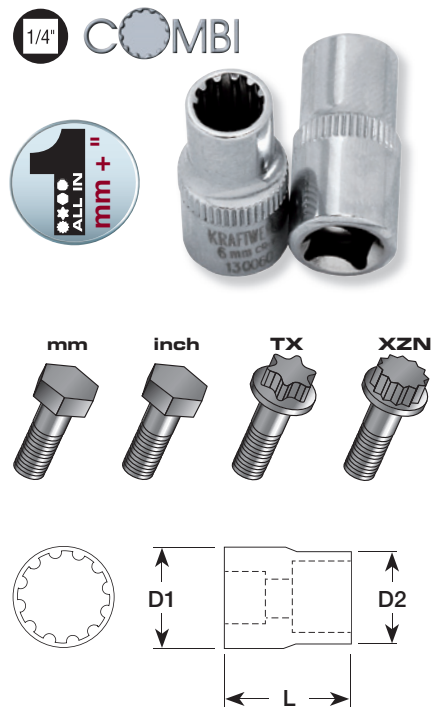


Art.	mm inch	E	XZN	D1 mm	D2 mm	L mm	
130040	4 5/32"	E5	M5	11.8	6.8	25	
130045	4.5	E6		11.8	7.3	25	
130050	5 3/16"		M6	11.8	7.9	25	
130055	5.5			11.8	8.7	25	
130060	6	E8	M8	11.8	9.3	25	
130070	7 9/32"			11.8	10.6	25	
130080	8 5/16"	E10	M10	11.8	12.8	25	
130090	9 11/32"			11.8	12.8	25	
130100	10 3/8"	E12	M12	13.8	15.8	25	
130110	11 7/16"	E14	M14	13.8	15.8	25	
130120	12 15/32"	E16		14.8	16.8	25	
130130	13 1/2"		M16	15.8	17.8	25	
130140	14 9/16"	E18	M18	17.8	19.8	25	



Art.	mm	inch	TX	XZN	
130001	8-10-11-13 14-16-17 mm	5/16"-3/8"-7/16"- 1/2"-9/16"-5/8"- 11/16"	E10-E12 E14-E18	M9-M10 M12-M14 M16-M18	